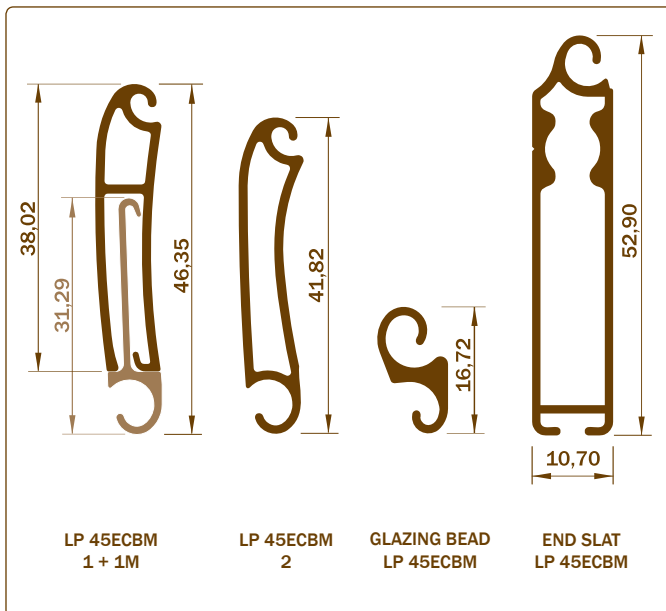
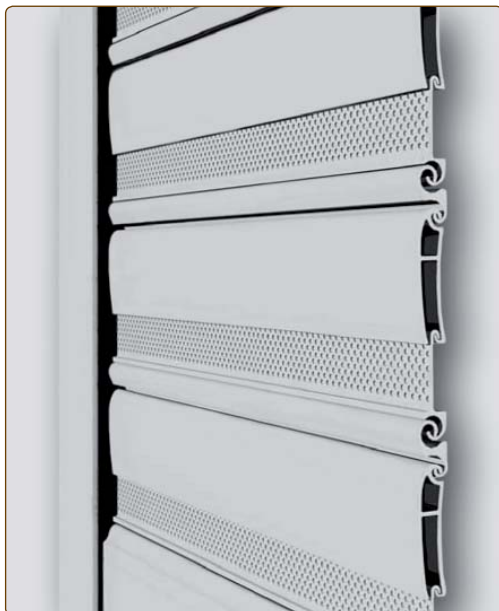


LP 45 ECBM (MICROPERFORATED). EXTRUDED ALUMINIUM SLAT



FEATURES

- Rolling shutter with 45mm extruded curved self-blocking aluminium slat microperforated.
- Possible controllers: handcrank, rope winche or motor.
- Available finishes: Basic colours, Anodized and RAL colours chart to choose. For Special Timber, please consult minimum orders and availability.
- Available boxes: pvc, aluminium-pvc, built in

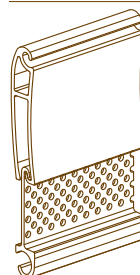
TECHNICAL DATA

MODELS	PERIMETER (dm ² /m)	SLATS BY METER HEIGHT	THEORIC WEIGHT (Kg/m)	MAXIMUM WIDTH Recommended
LP 45 ECBM 1 + 1M	17,8 + 8,9	11	0,297 + 0,135	2,75m
LP 45 ECBM 2	18,2	11	0,305	2,75m
GLAZING BEAD LP 45 ECBM	12,0	22	0,138	2,75m
END SLAT LP 45 ECBM	25,4	1	-	-

ROLLINGS

PVC BOX	155	170	185	200	225	
REGIBLOCK	X	X	X	X	X	
REGILUX	X	X		X		
REGICLICK				X		
SUBLIBOX	X		X			
PVC DOUBLE WALL	X		X			
SLAT	AXLE	HEIGHT				
LP 45 ECBM	Ø 60	1.000	1.400	1.600	2.000	2.250

COMMENTS



Slat LP 45 ECBM 1 + 1 M measurement:
- in lock: 47mm
- extended: 72mm

Possibility of partial opening by micro-perforated profile (1M), obtaining an attenuation of the incidence of sunlight, and a estimated ventilation surface of 12,56 dm²/m². The visible microperforated zone are 18,97 mm.

NOTE: All measurements shown are in mm. The indicated Heights include the box and the end slat, that is, they are referred to the hollow for the shutter. These heights are orientative, taking in consideration the particular conditions of each case: roller shutter width, type of security spring, very long boxes that may present buckling, boxes that may stay deformed after placing in the building...